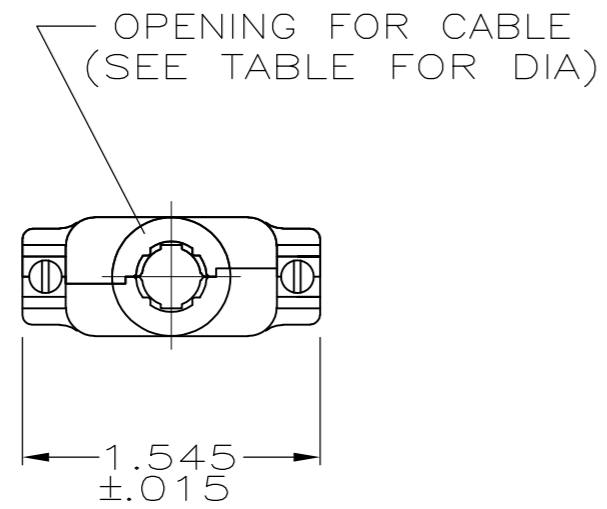
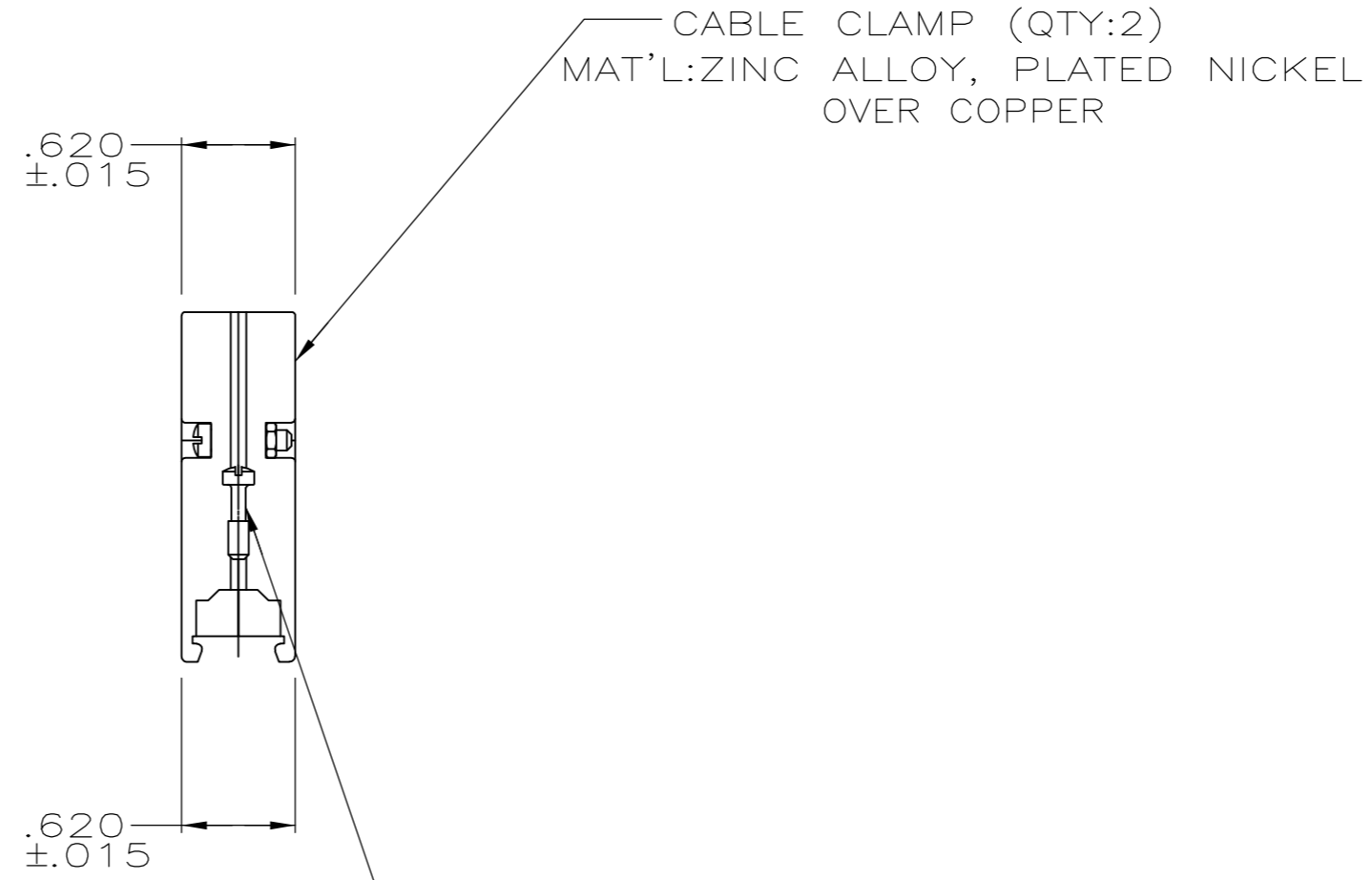
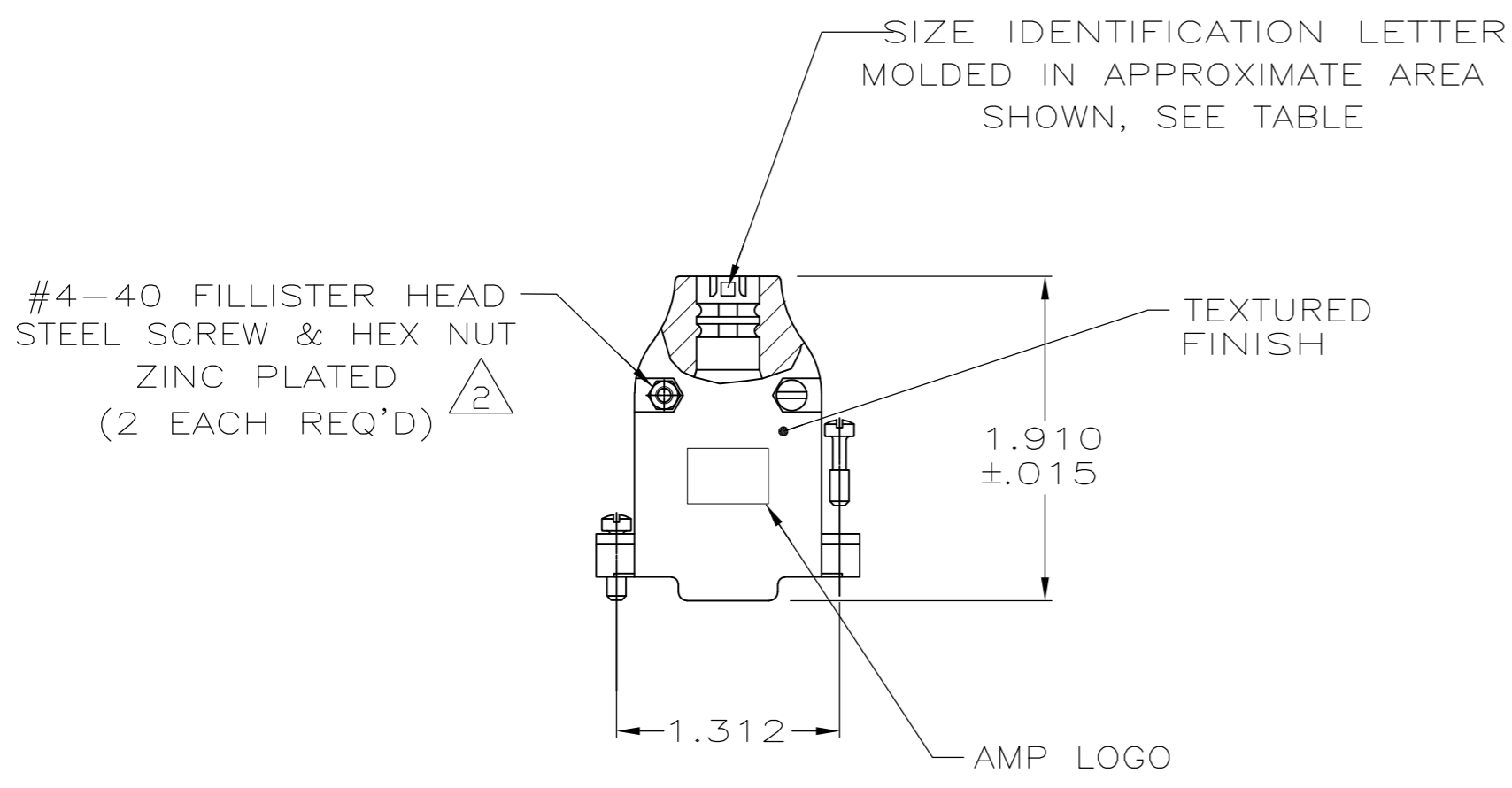


THIS DRAWING IS UNPUBLISHED. RELEASED FOR PUBLICATION  
 © COPYRIGHT - By - ALL RIGHTS RESERVED.

| LOC | DIST | REVISIONS |     |                           |         |     |      |
|-----|------|-----------|-----|---------------------------|---------|-----|------|
| GP  | 00   | P         | LTR | DESCRIPTION               | DATE    | DWN | APVD |
|     |      | P         |     | REVISED PER ECO-11-005033 | 23MAR11 | RK  | HMR  |



- 1. PARTS PACKAGED UNASSEMBLED.
- 2. ZINC PLATED .000200-.000400 THICK, CLEAR CHROMATE COATING.



|            |           |             |
|------------|-----------|-------------|
| K          | .430      | 1-5745172-3 |
| B          | .225      | 5745172-3   |
| E          | .300      | 5745172-2   |
| H          | .375      | 5745172-1   |
| NECK IDENT | CABLE DIA | PART NO     |

|  |  |                                |   |  |
|--|--|--------------------------------|---|--|
| THIS DRAWING IS A CONTROLLED DOCUMENT. |  | DWN<br>B. MCMASTER<br>02AUG05  | <b>TE</b> TE Connectivity   |  |
| DIMENSIONS: INCHES                     |  | CHK<br>J. GERACE<br>02AUG05    |   |  |
| TOLERANCES UNLESS OTHERWISE SPECIFIED: |  | APVD<br>M. WALMSLEY<br>02AUG05 | NAME<br>CABLE CLAMP KIT, UNASSEMBLED, SIZE 2, 15 POSITION, 180 DEGREES, AMPLIMITE |  |
| 0 PLC ± -                              |  | PRODUCT SPEC                   | SIZE  |  |
| 1 PLC ± -                              |  | APPLICATION SPEC               | CAGE CODE   |  |
| 2 PLC ± -                              |  |                                | DRAWING NO  |  |
| 3 PLC ± .005                           |  |                                | RESTRICTED TO   |  |
| 4 PLC ± -                              |  |                                | A2 00779 C-5745172  |  |
| ANGLES ± -                             |  | WEIGHT                         | SCALE   |  |
| MATERIAL SEE CALLOUTS                  |  | FINISH SEE CALLOUTS            | 1:1   |  |
|  |  | CUSTOMER DRAWING               | SHEET 1 of 1  |  |
|  |  |                                | REV P   |  |